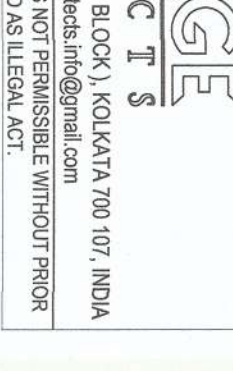
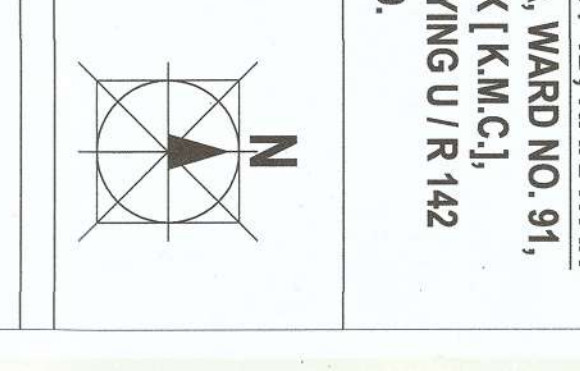
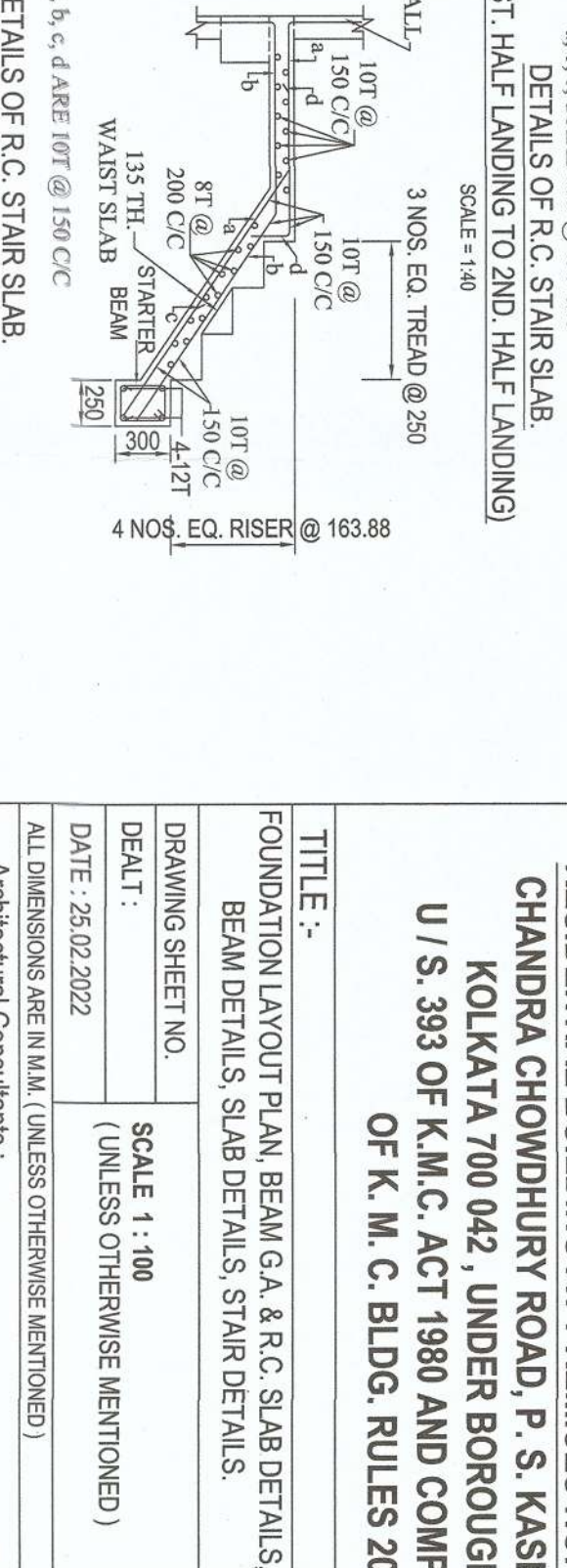
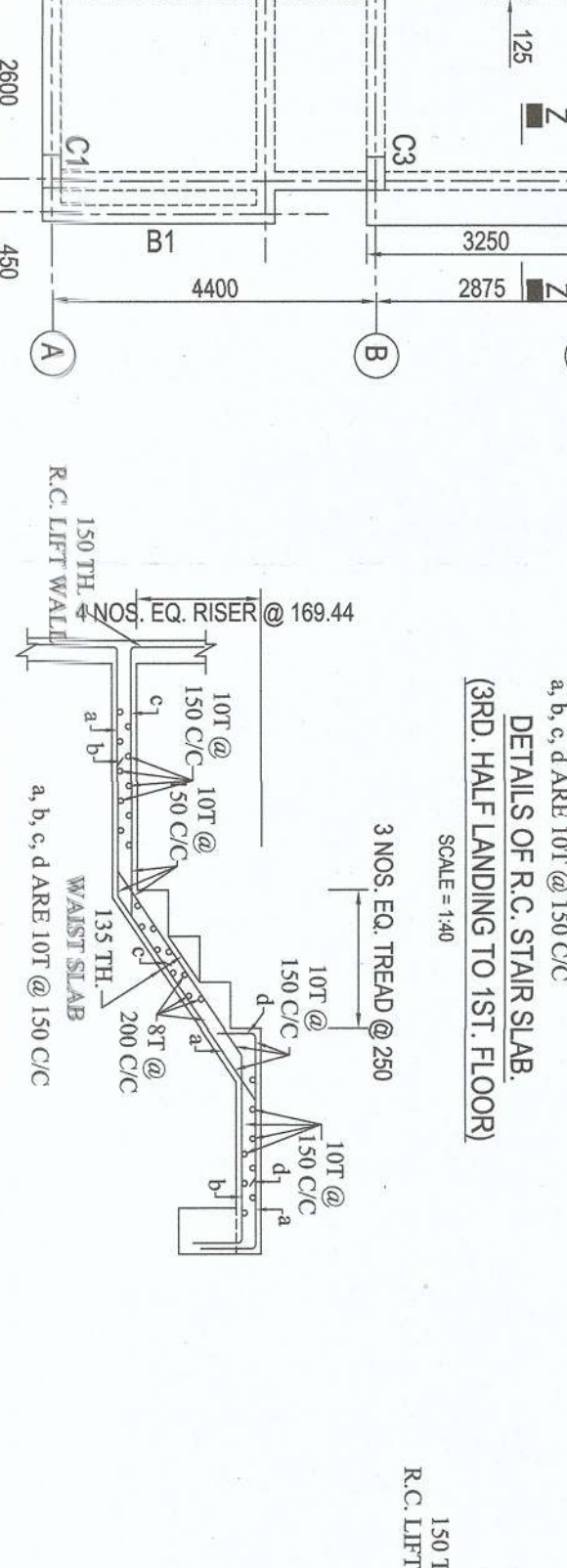
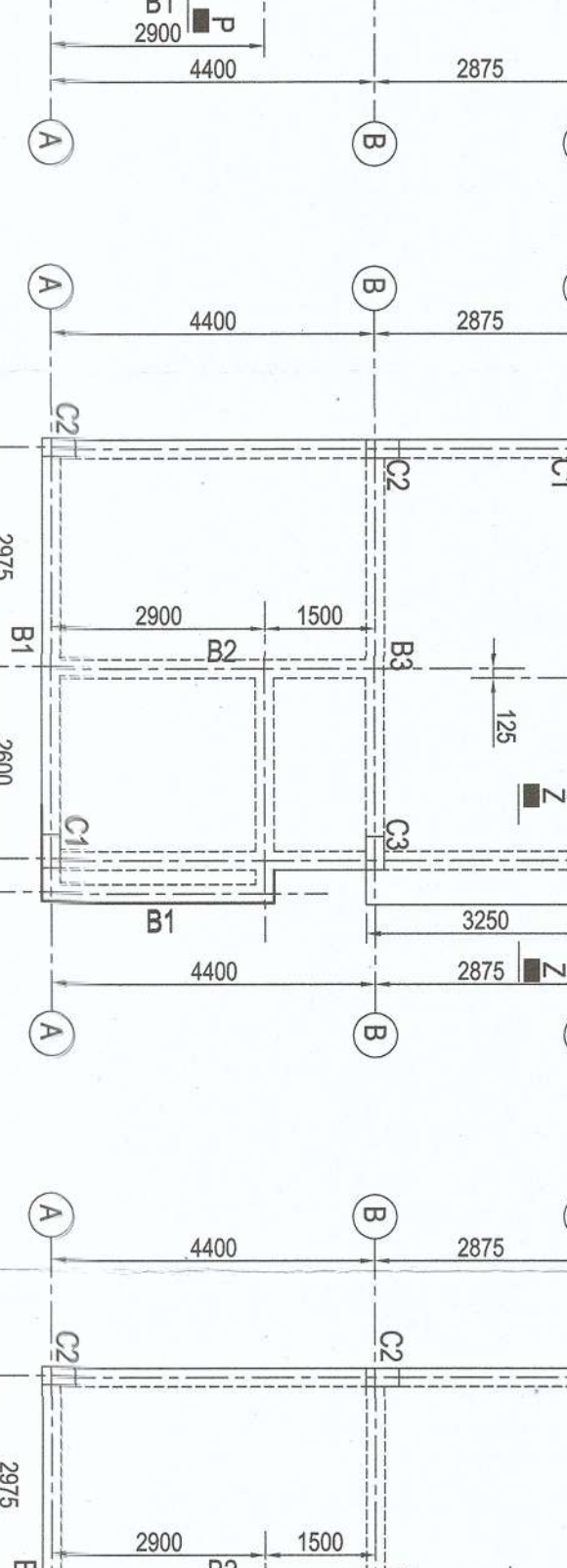
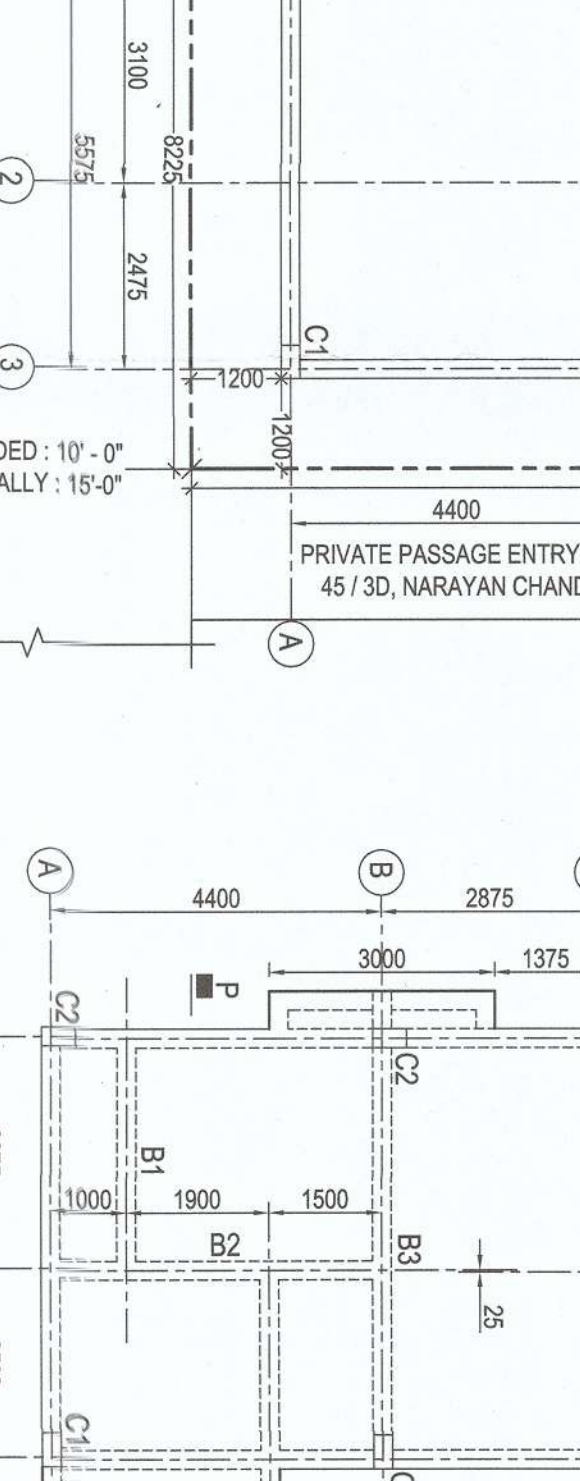
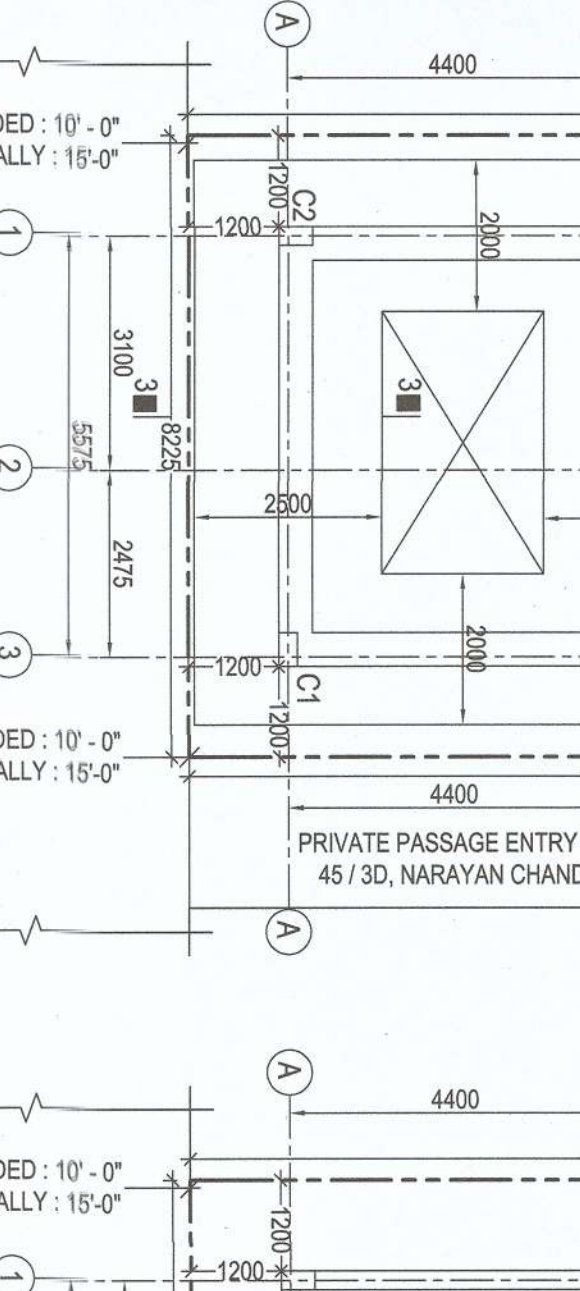
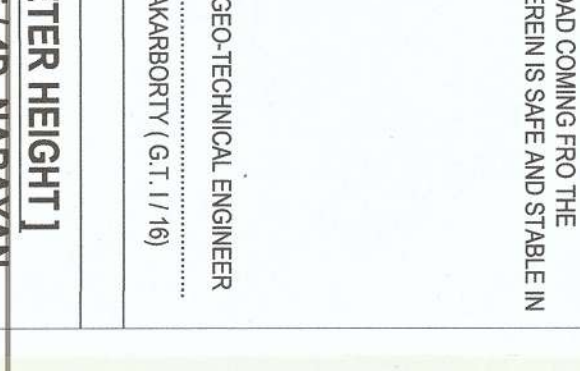
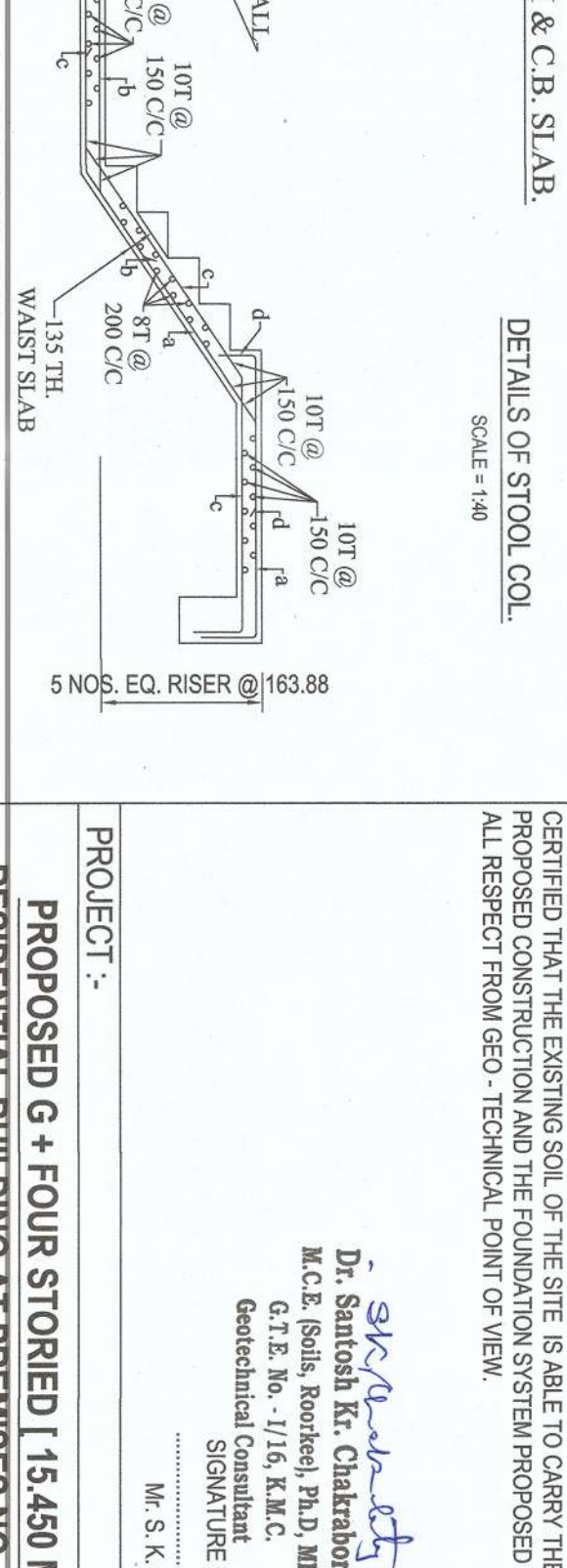
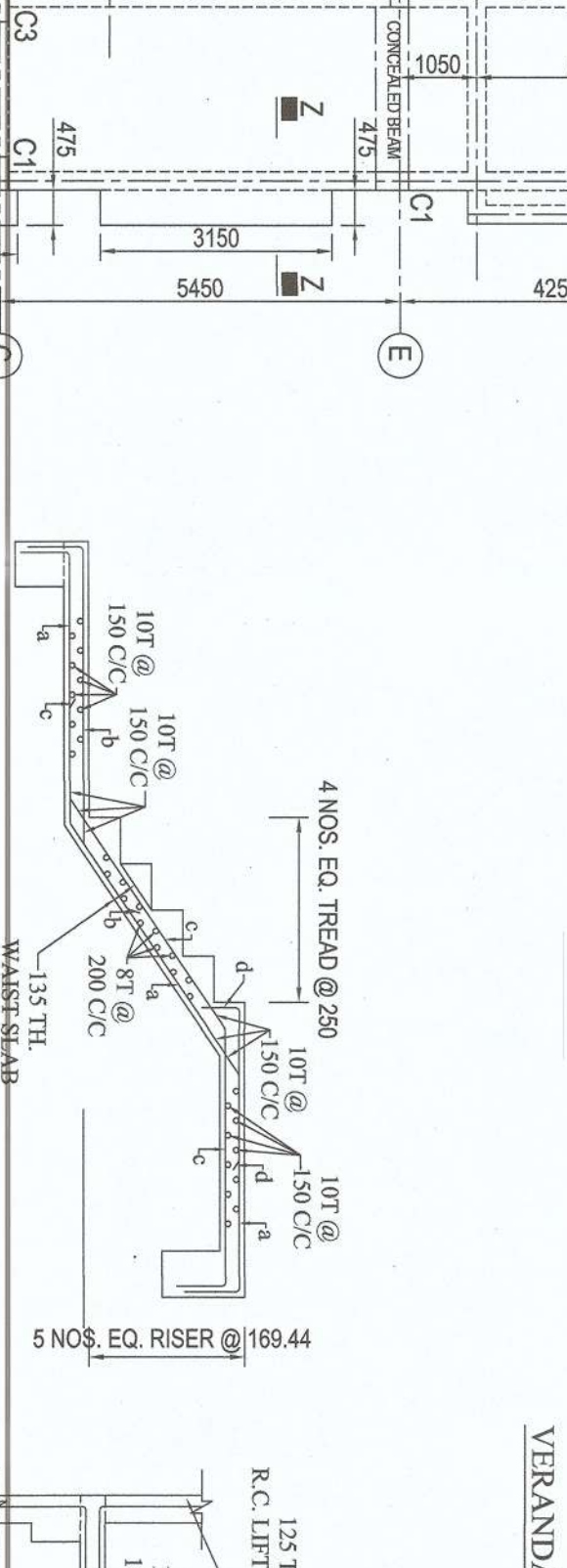
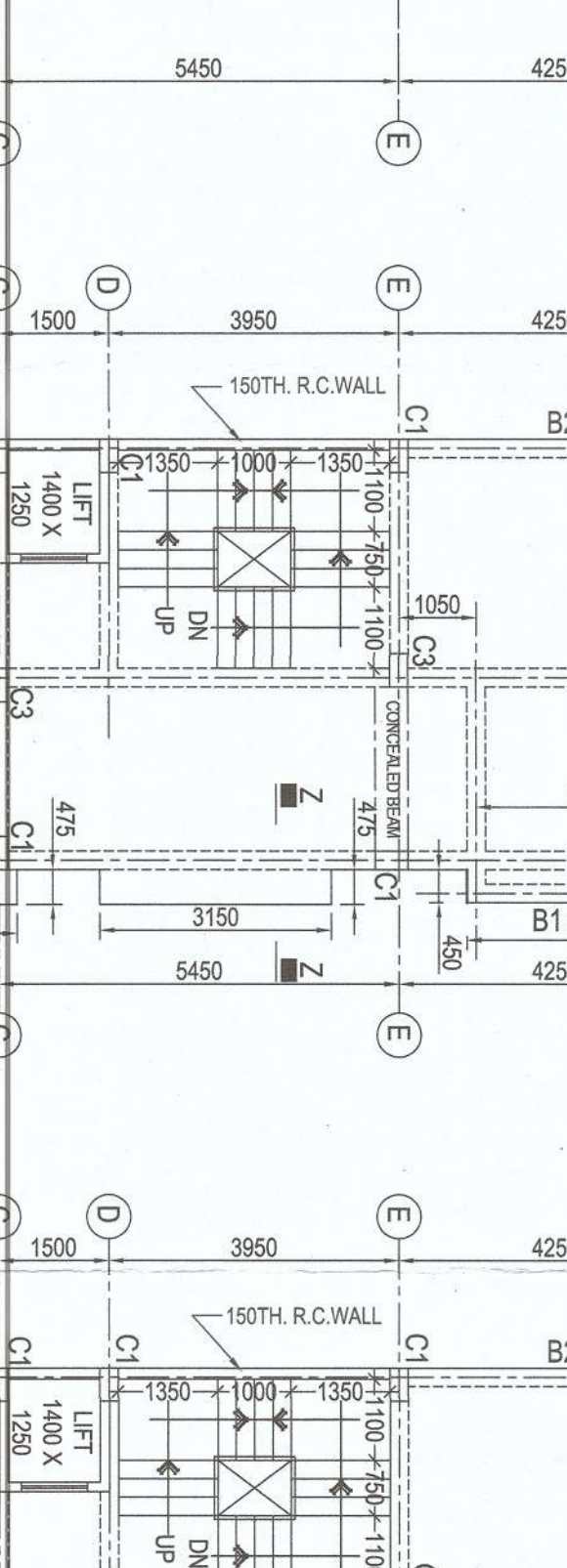
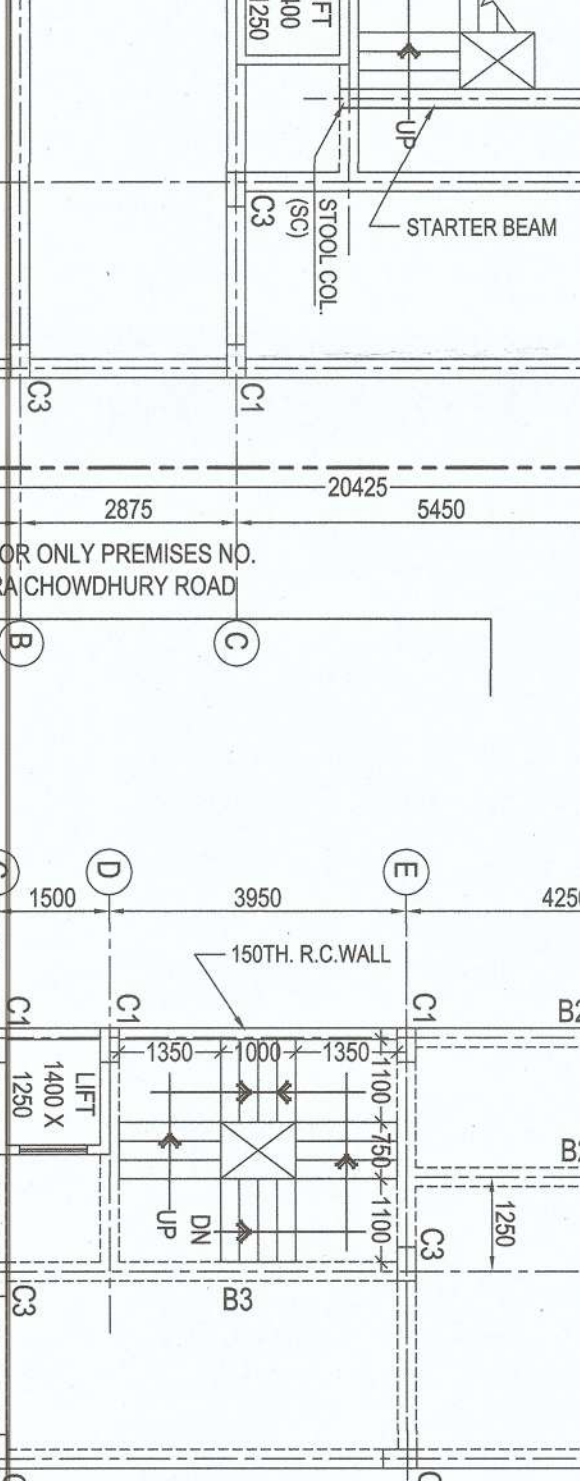
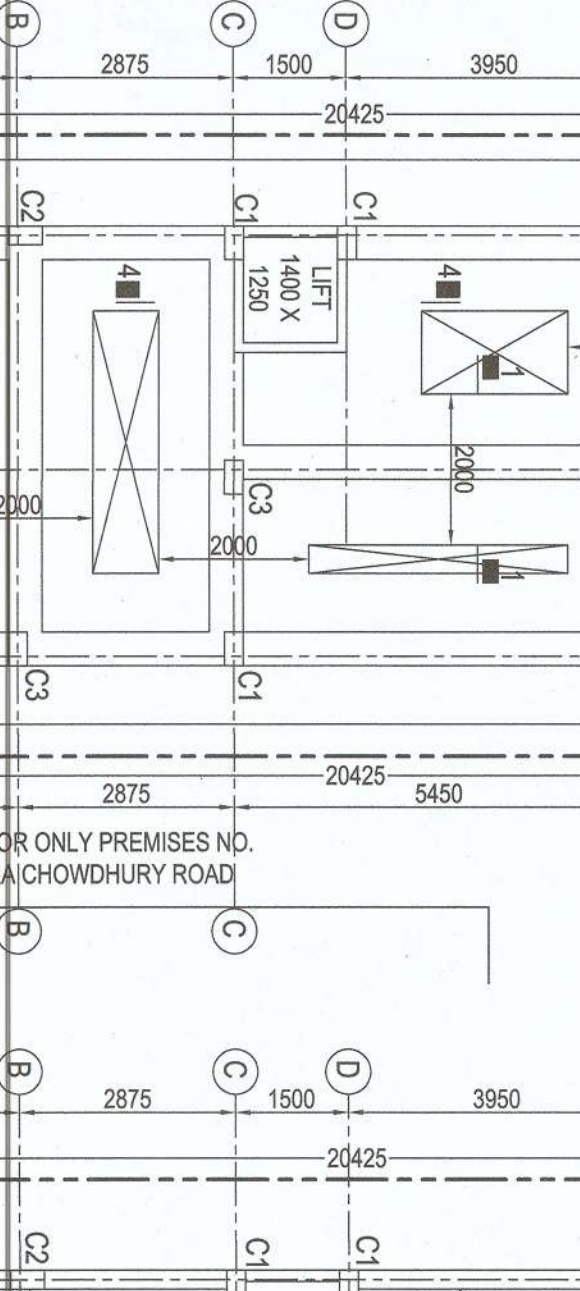
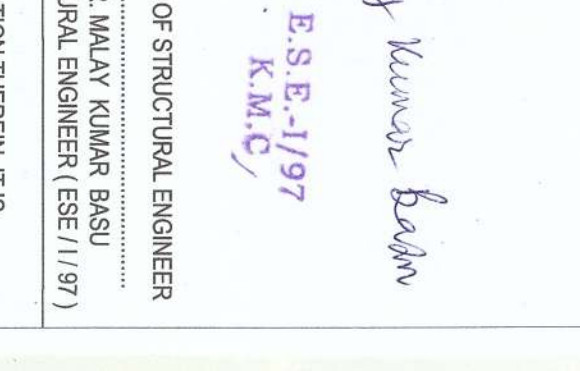
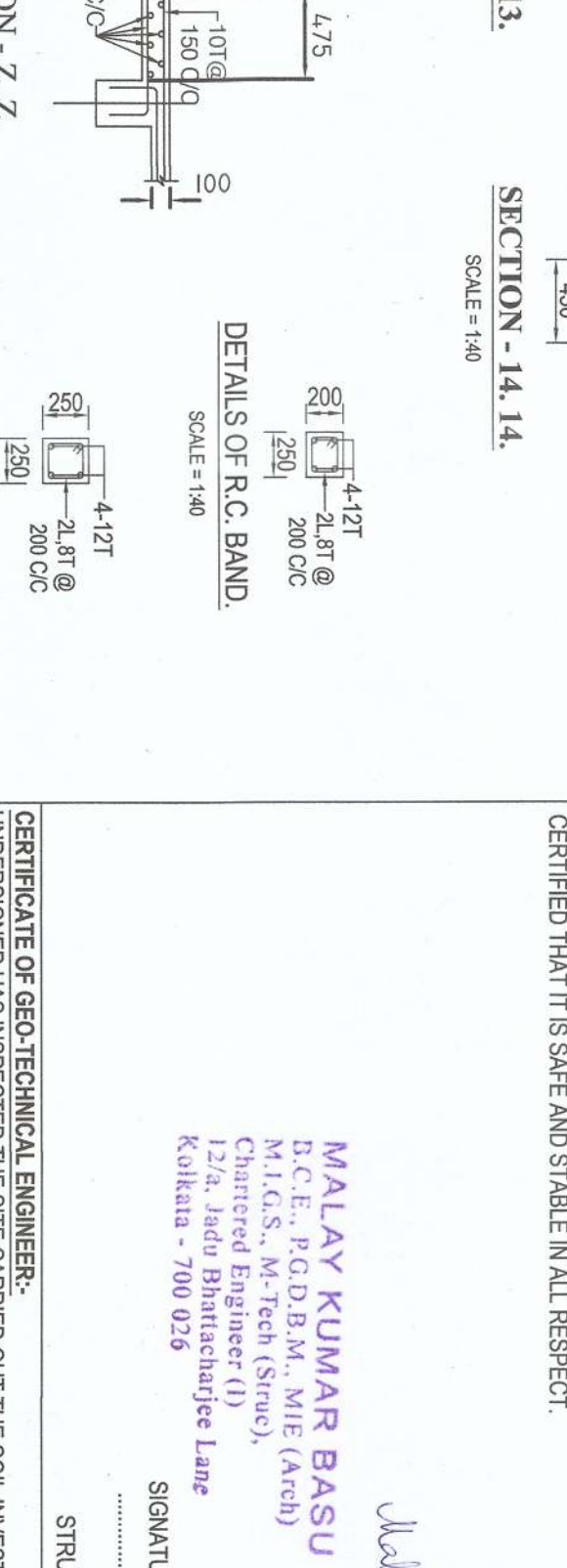
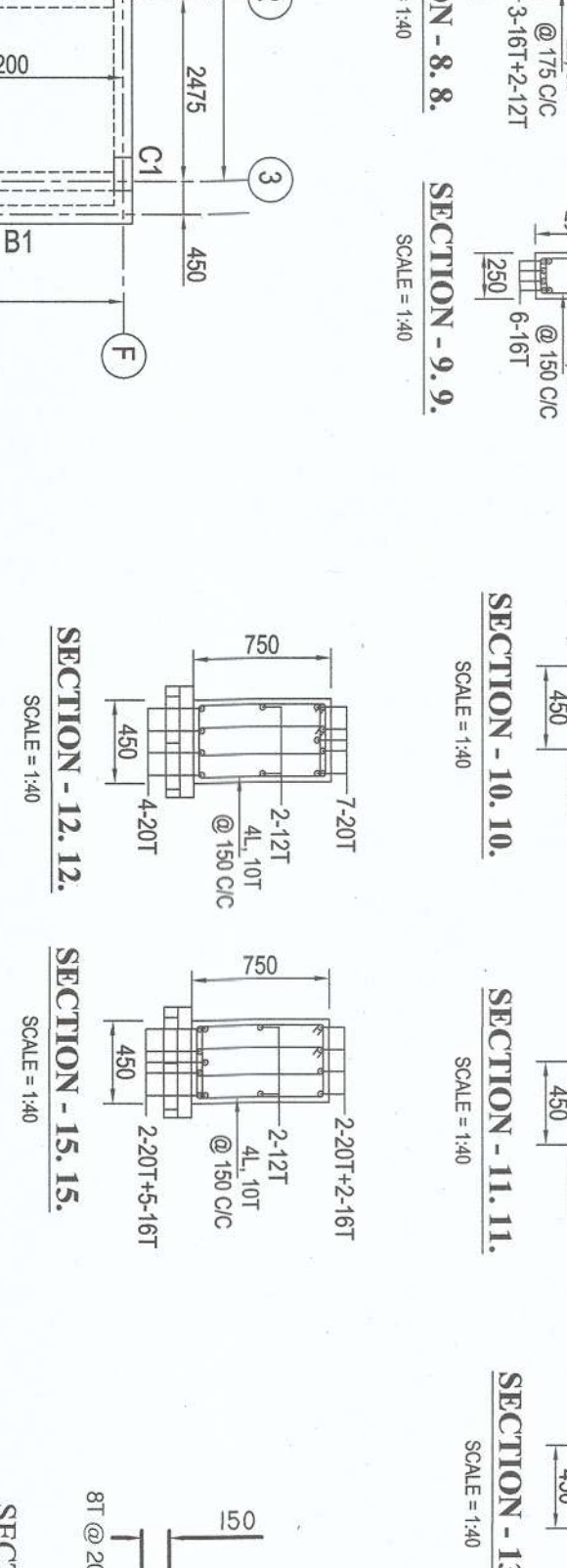
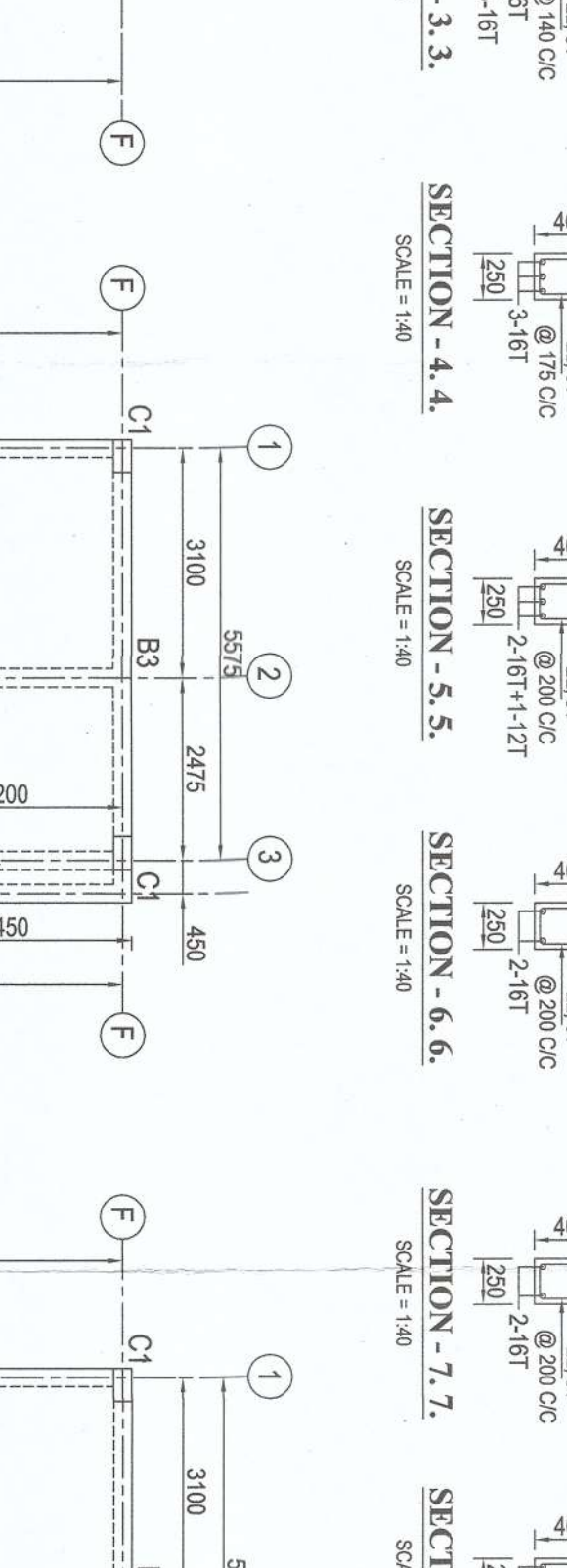
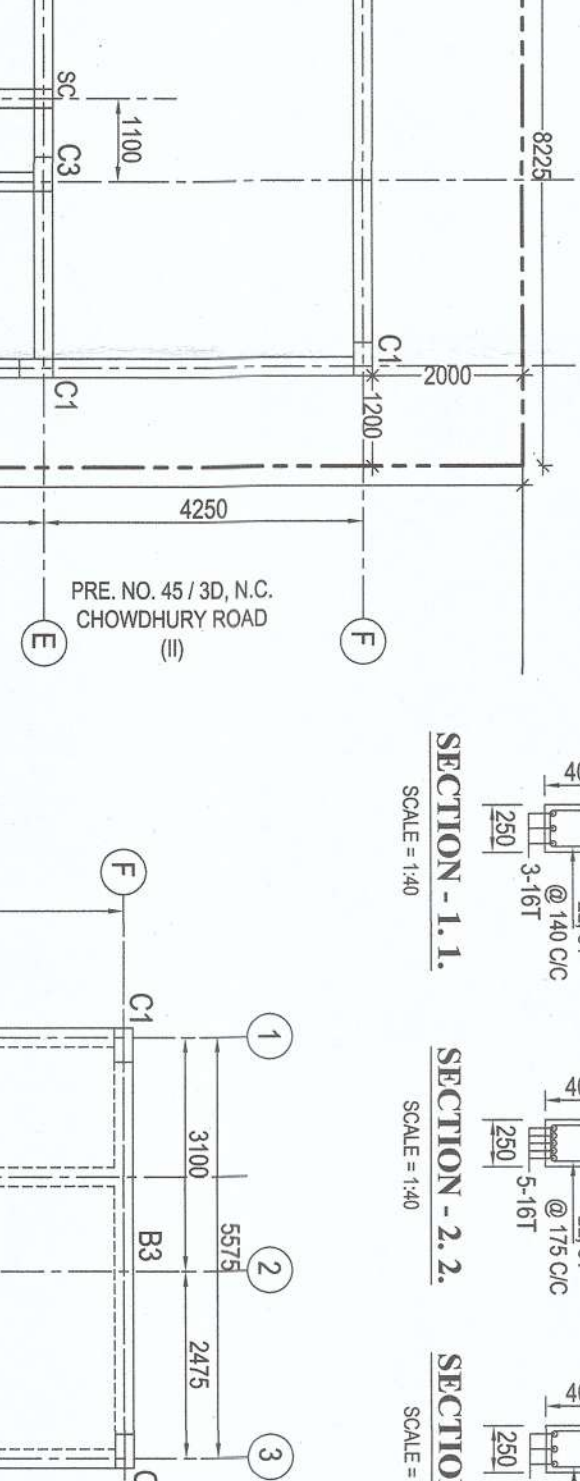
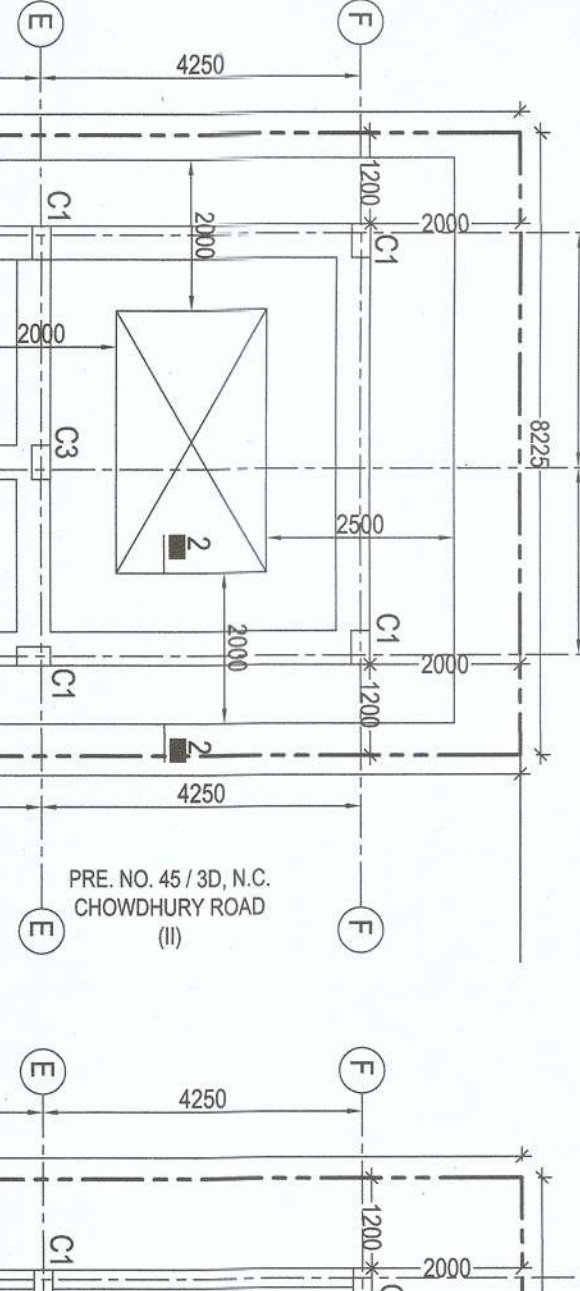
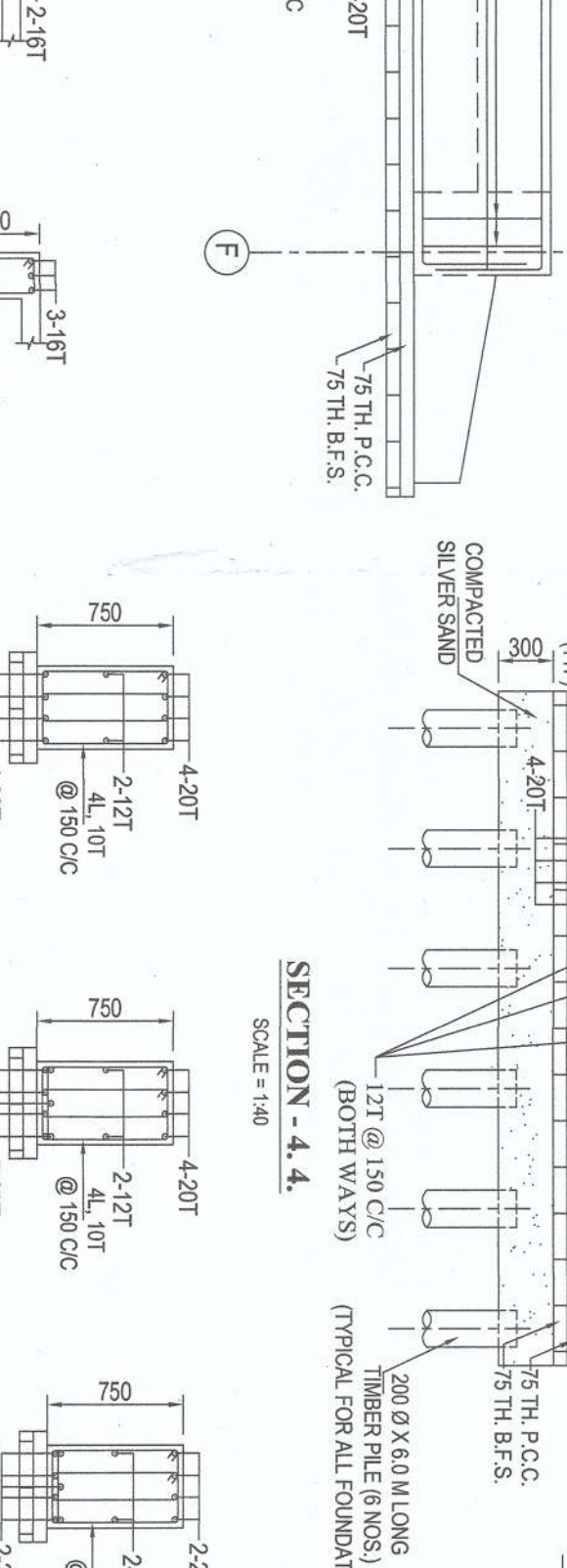
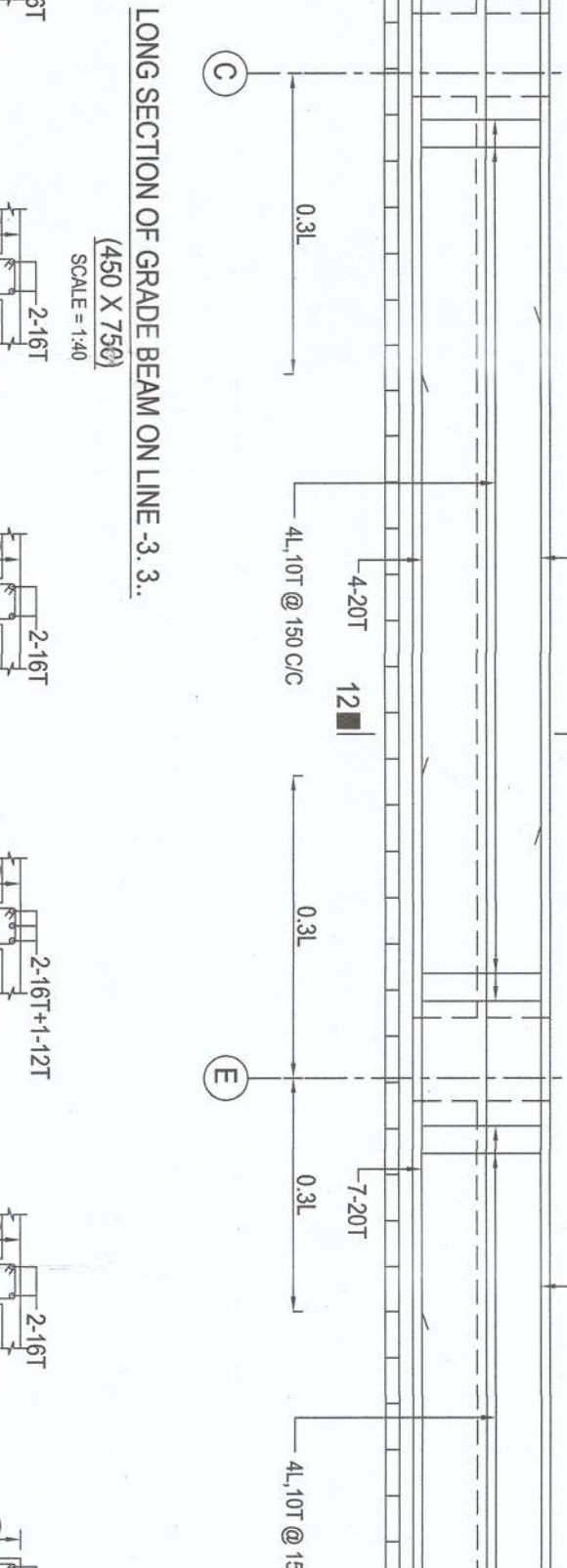
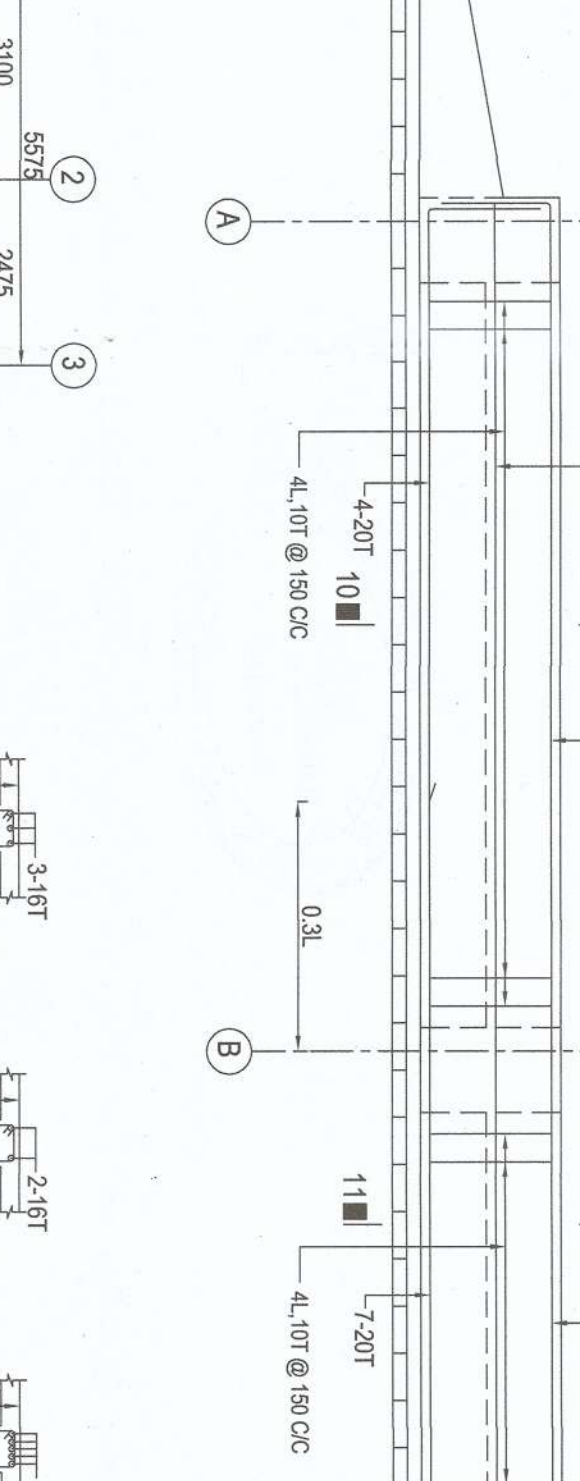
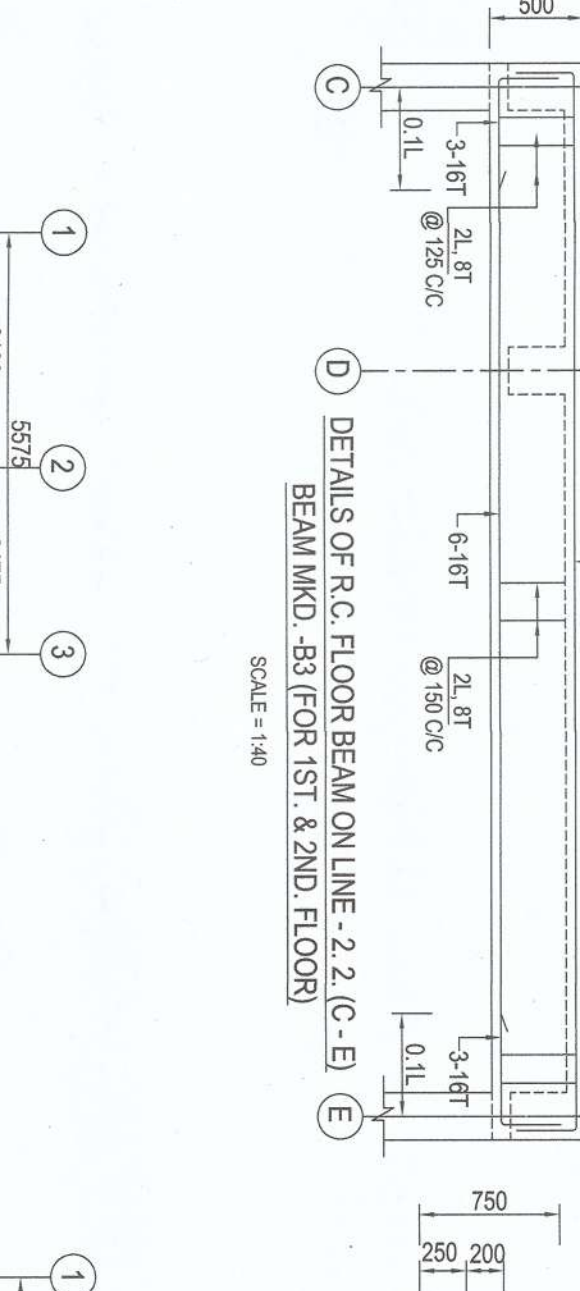
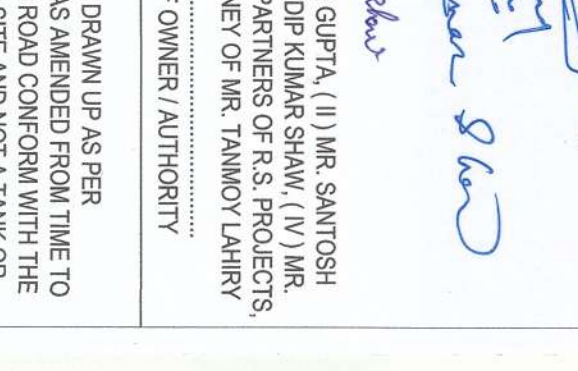
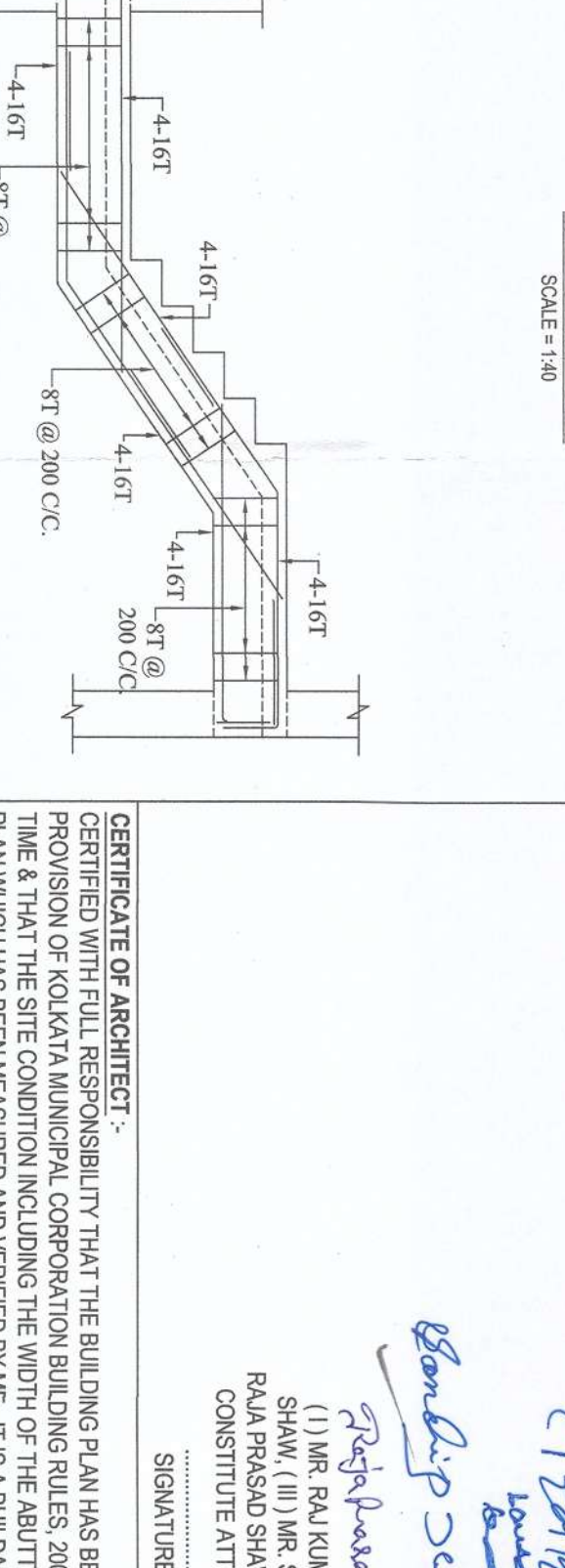
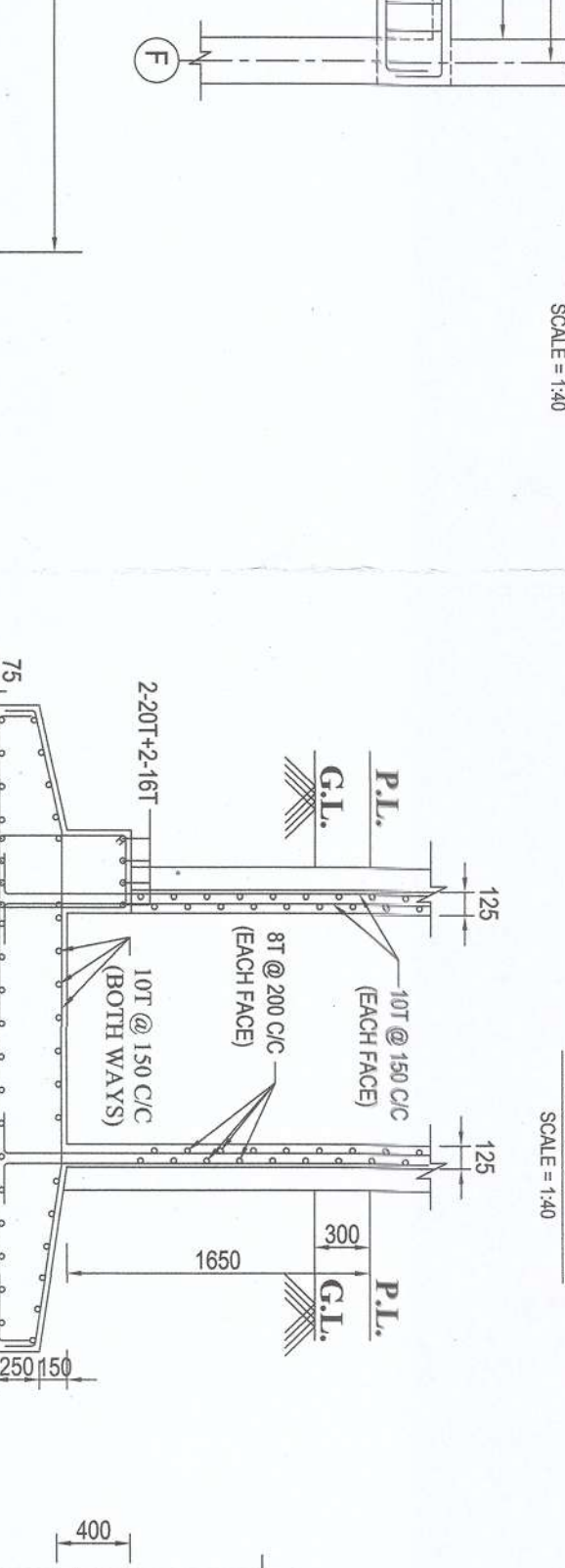
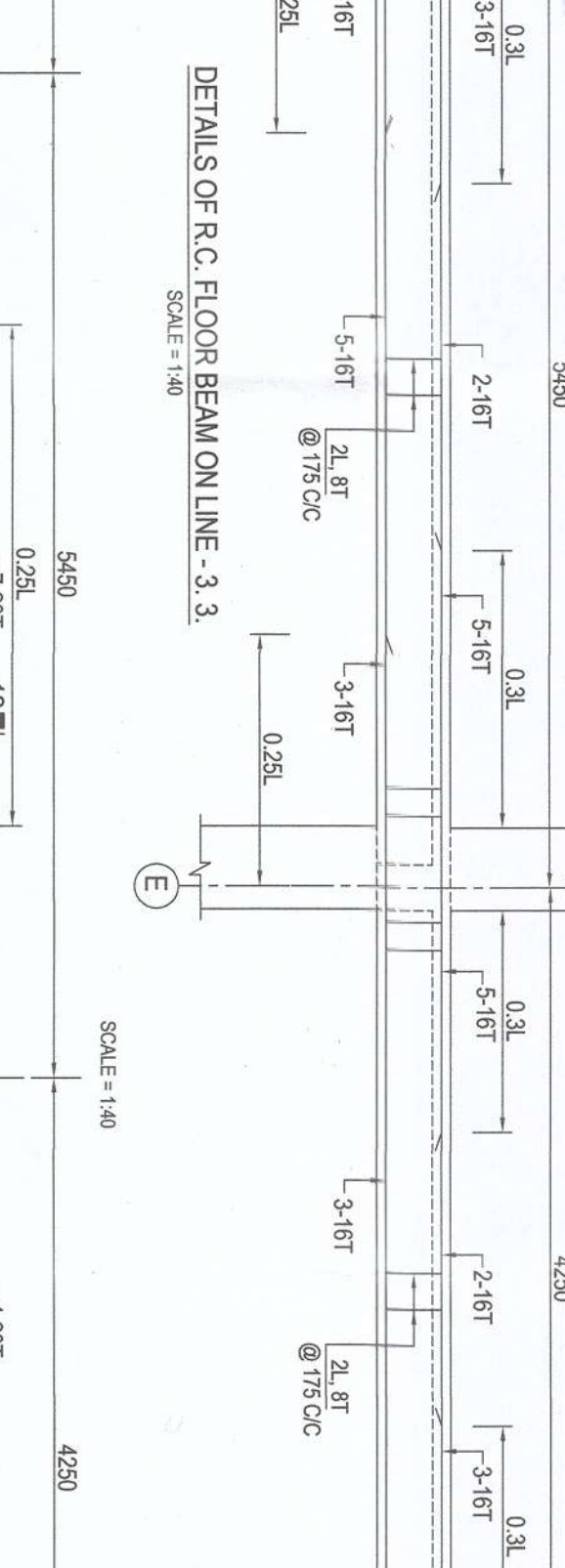
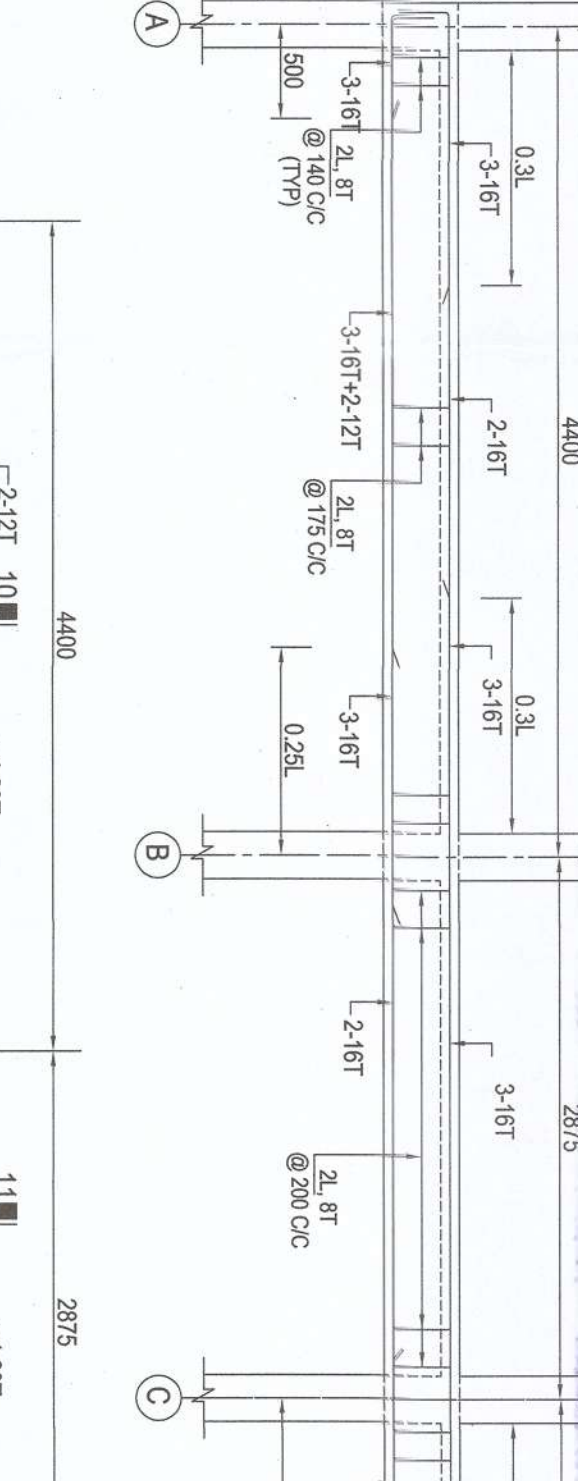
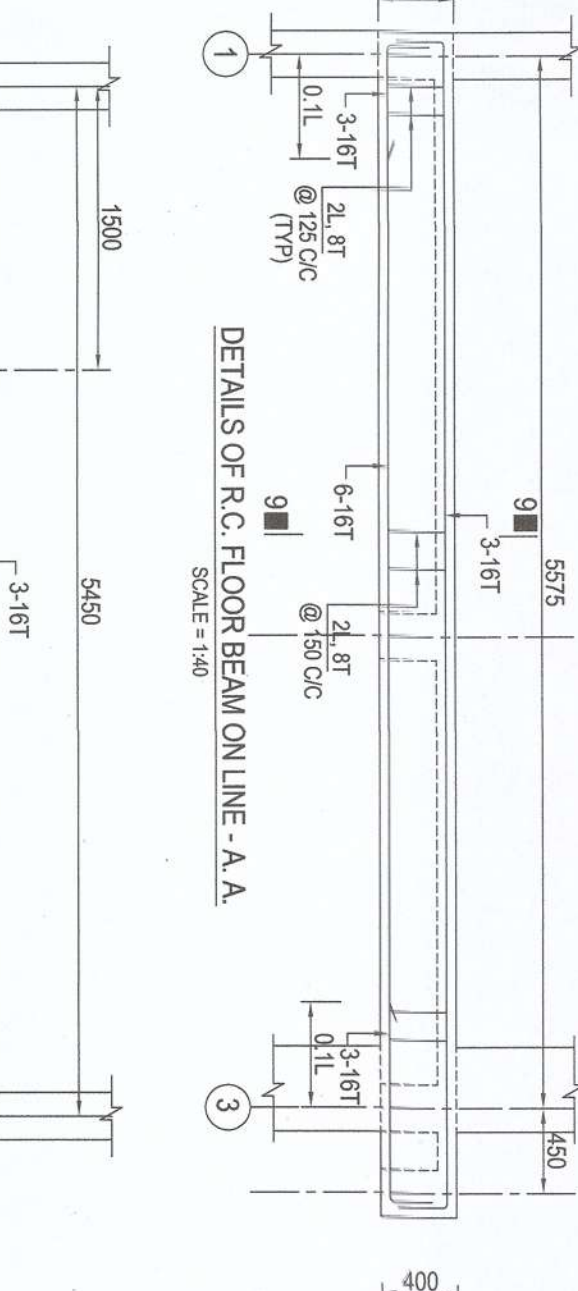
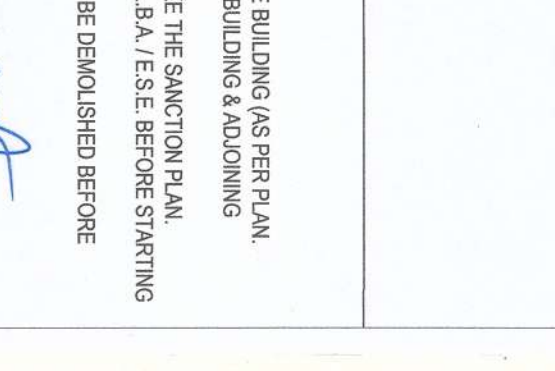
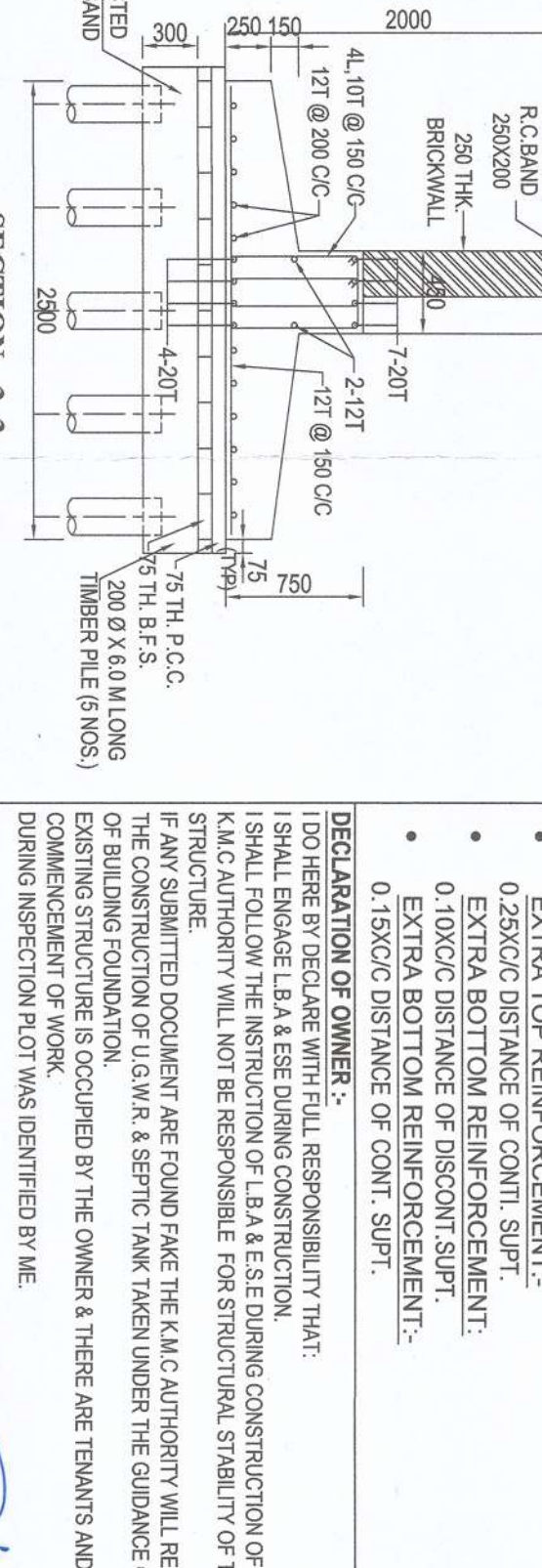
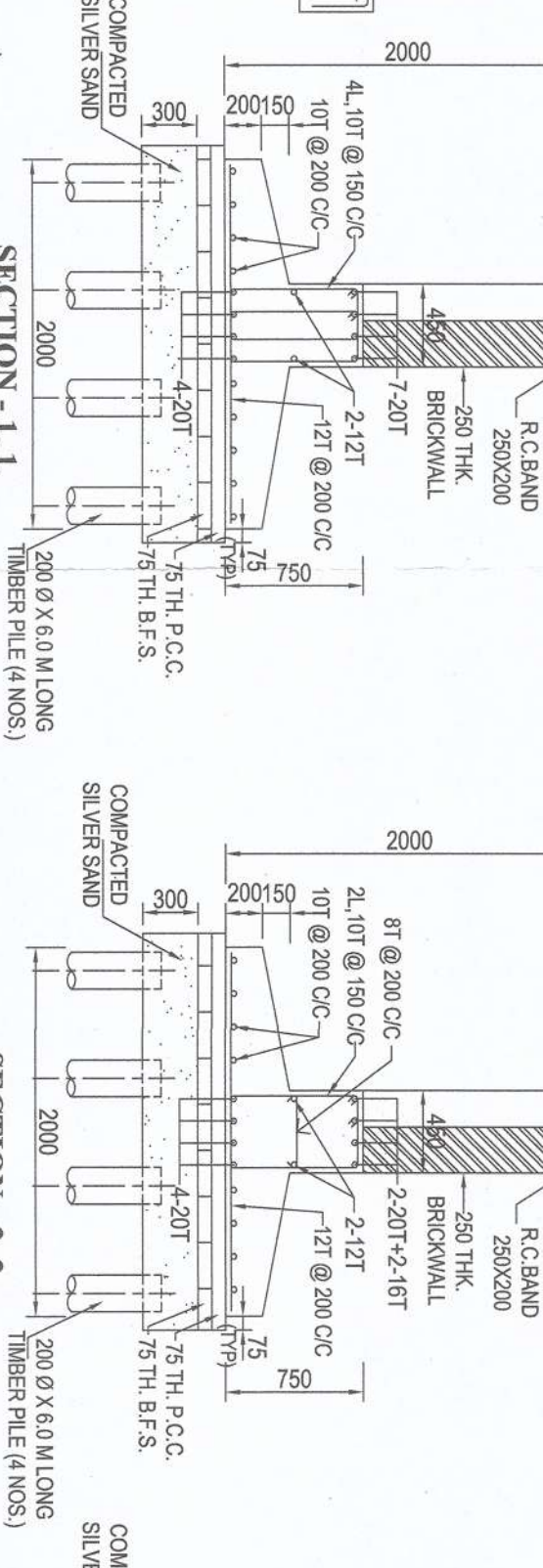
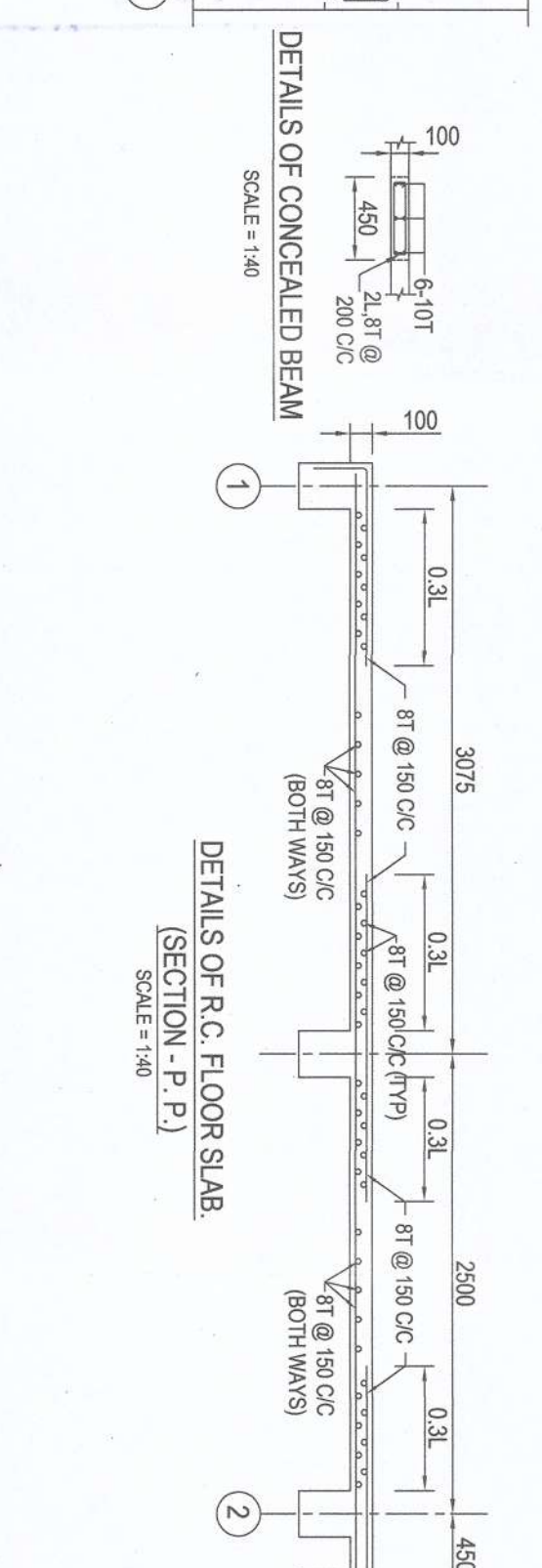
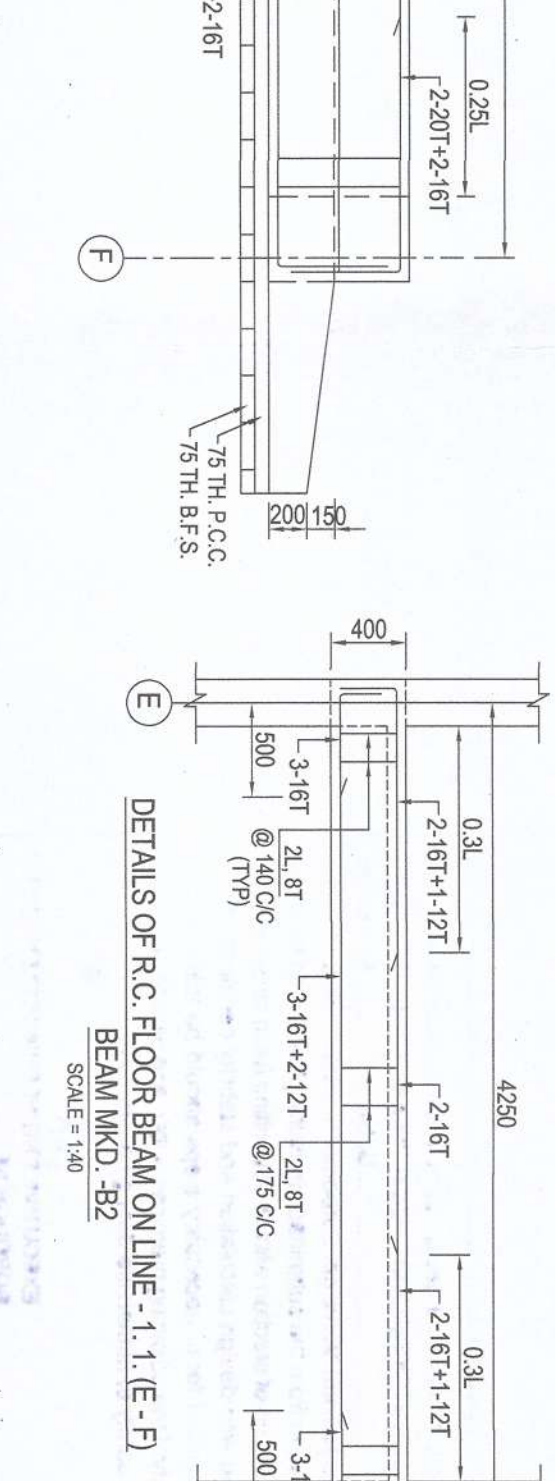
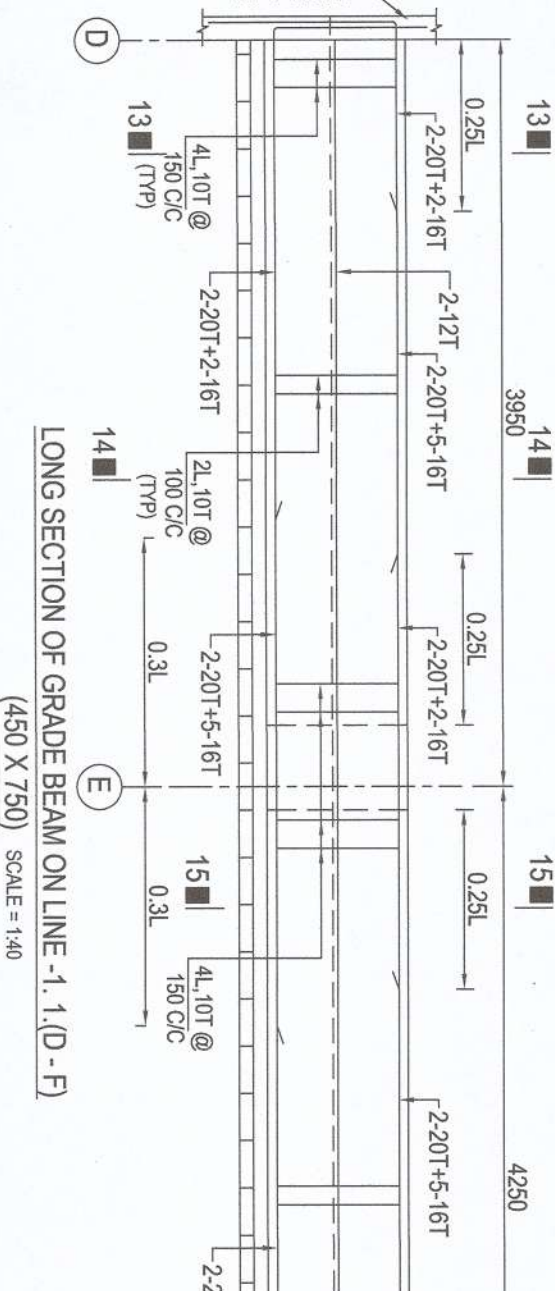
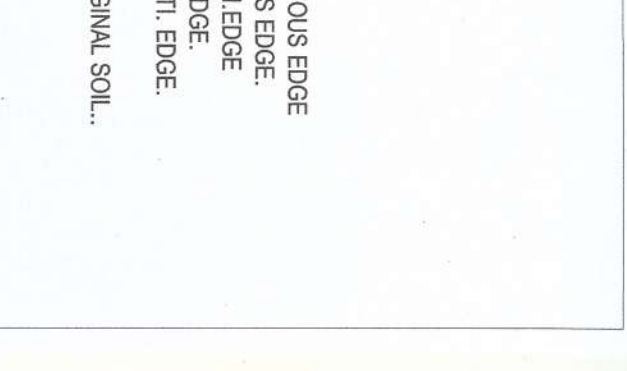
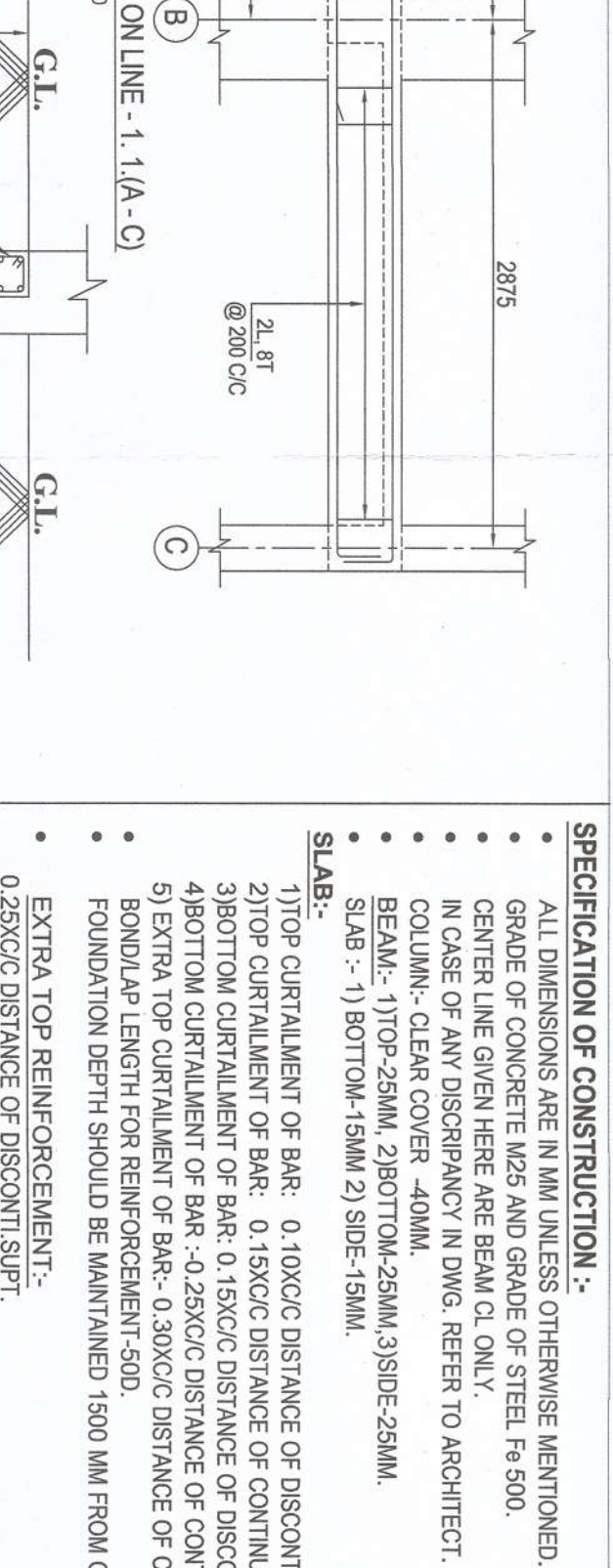
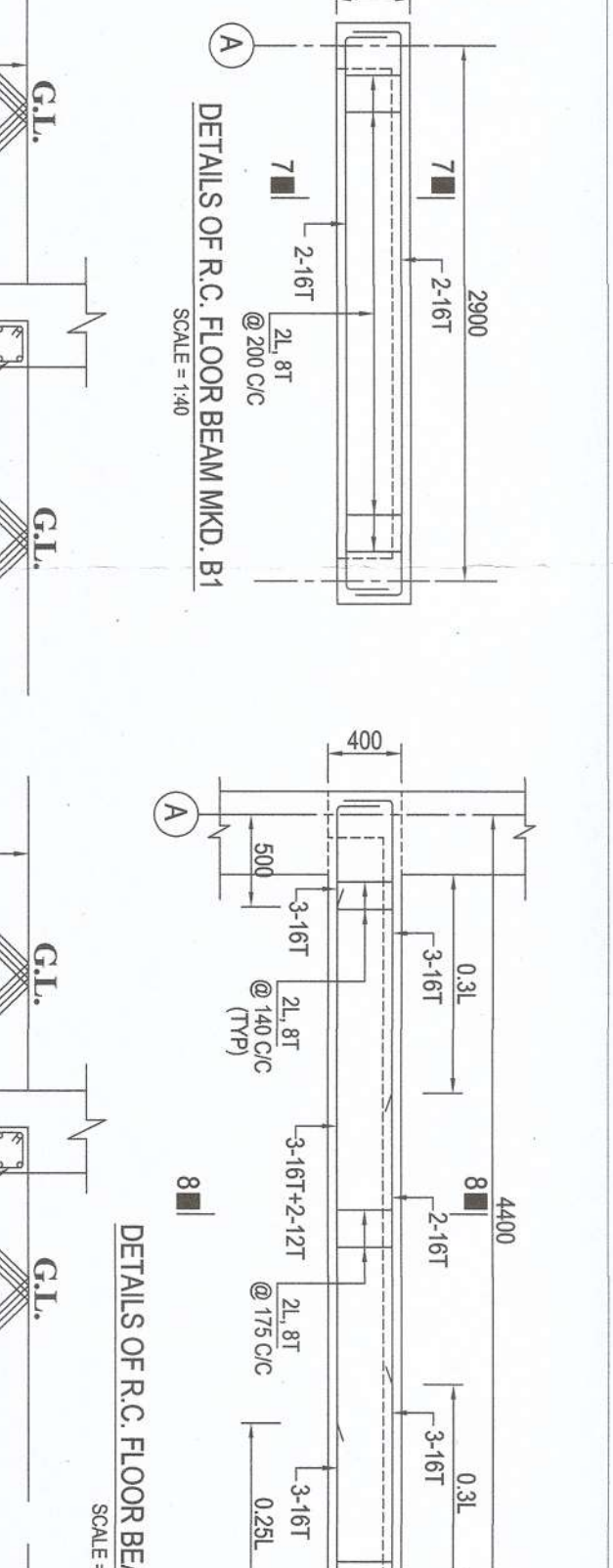
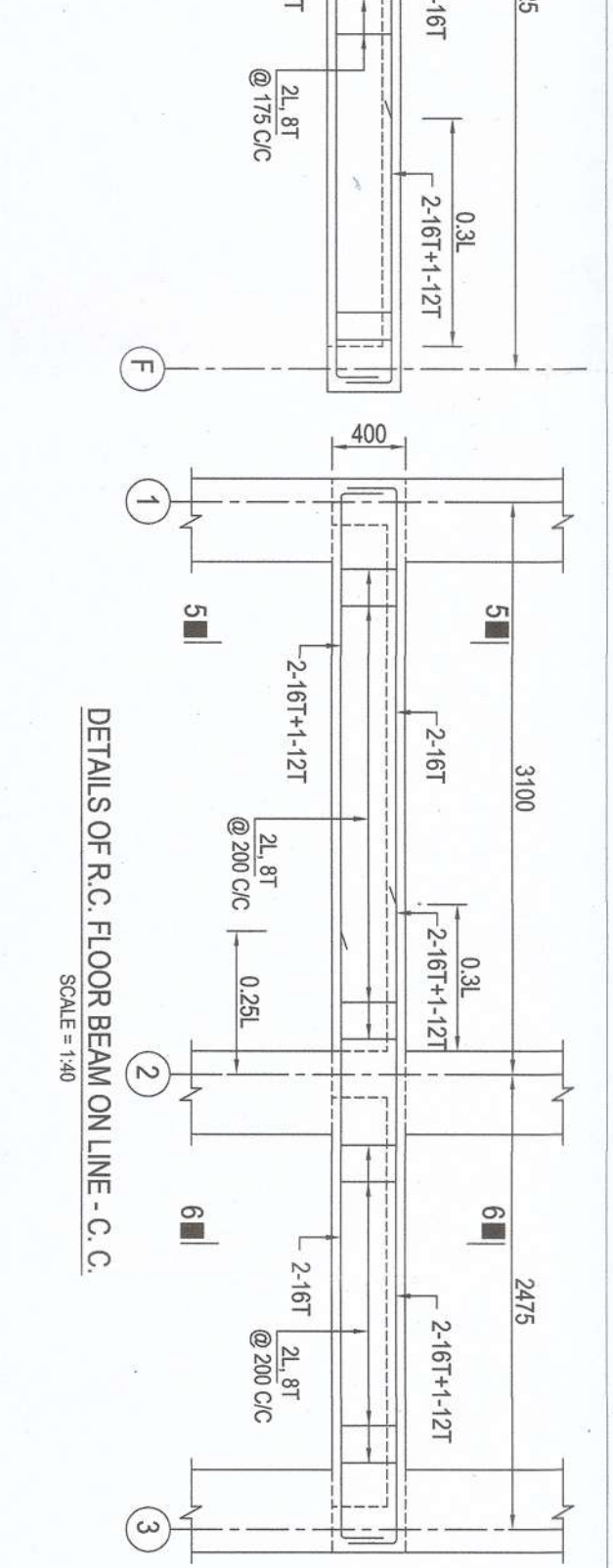
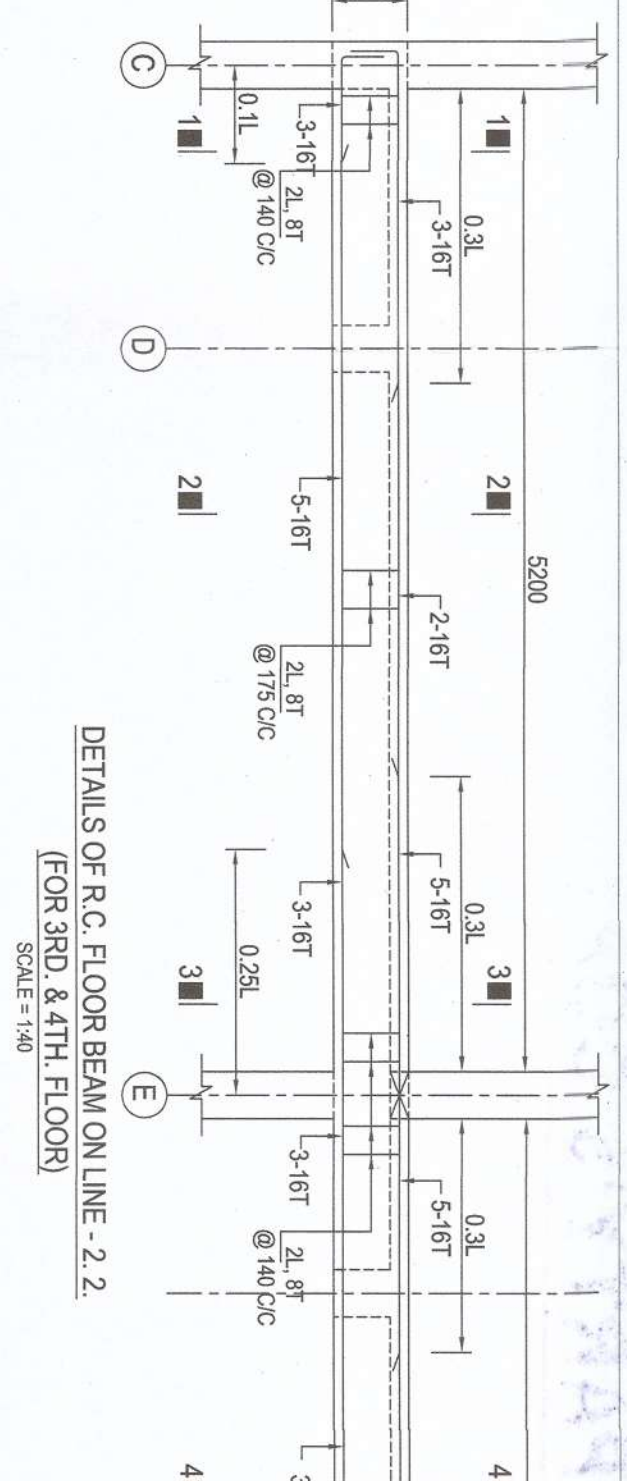


| COL. NO. | FOUNDACTION TO SECOND FLOOR | SECOND FLOOR TO FOURTH FLOOR | ABOVE FOURTH FLOOR | LAT. TIES |
|----------|-----------------------------|------------------------------|--------------------|-----------|
| C1 | 250 | 250 | 250 | X X |
| C2 | 250 | 250 | 250 | X X |
| C3 | 250 | 250 | 250 | X X |
| C4 | 250 | 250 | 250 | X X |
| C5 | 250 | 250 | 250 | X X |
| C6 | 250 | 250 | 250 | X X |
| C7 | 250 | 250 | 250 | X X |
| C8 | 250 | 250 | 250 | X X |
| C9 | 250 | 250 | 250 | X X |
| C10 | 250 | 250 | 250 | X X |
| C11 | 250 | 250 | 250 | X X |
| C12 | 250 | 250 | 250 | X X |
| C13 | 250 | 250 | 250 | X X |
| C14 | 250 | 250 | 250 | X X |
| C15 | 250 | 250 | 250 | X X |

LAT. TIES @ 200 C/C



SPECIFICATION OF CONSTRUCTION -
 ALL DIMENSIONS ARE IN MM UNLESS OTHERWISE MENTIONED.
 CONCRETE: M25 AND GRADE OF STEEL: F500.
 CENTER LINE GIVEN HERE ARE MEASUREMENTS TO ARCHITECT.
 ALL DIMENSIONS TO BE TAKEN FROM THE CENTERLINE OF THE COLUMN.
 BEAM - 1) 300 X 450; 2) 300 X 600; 3) 300 X 750; 4) 300 X 900;
 SLAB - 1) 120 THK; 2) 150 THK; 3) 180 THK; 4) 210 THK; 5) 240 THK;
 1) TOP CURTAINMENT OF BAR: 0.100C DISTANCE OF DISCONTINUOUS EDGE
 2) BOTTOM CURTAINMENT OF BAR: 0.250C DISTANCE OF CONTI EDGE
 3) EXTRA TOP CURTAINMENT OF BAR: 0.300C DISTANCE OF CONTI EDGE
 4) EXTRA TOP REINFORCEMENT: 500
 5) EXTRA TOP REINFORCEMENT: 500
 6) EXTRA TOP REINFORCEMENT: 500
 7) EXTRA TOP REINFORCEMENT: 500
 8) EXTRA TOP REINFORCEMENT: 500
 9) EXTRA TOP REINFORCEMENT: 500
 10) EXTRA TOP REINFORCEMENT: 500

CERTIFICATE OF ARCHITECT -
 I, THE ARCHITECT, CERTIFY THAT THE BUILDING PLAN HAS BEEN DRAWN UP AS PER THE PROVISIONS OF KERALA MUNICIPAL CORPORATION BUILDING RULES, 2006 AS AMENDED FROM TIME TO TIME AND THAT THE SITE CONDITION INCLUDING THE WIDTH OF THE ABUTTING ROAD CONFORM WITH THE REQUIREMENTS SPECIFIED THEREIN. I AM NOT RESPONSIBLE FOR ANY CONSTRUCTION WORK OR FOR THE STRUCTURE OCCUPIED BY THE OWNER AS THERE ARE REVISIONS AND TO BE DEMONSTRATED BEFORE CONSTRUCTION OF WORK COMMENCES BY ME.

CERTIFICATE OF STRUCTURAL ENGINEER -
 I, THE STRUCTURAL ENGINEER, CERTIFY THAT THE FOUNDATION AND SUPERSTRUCTURE OF THE BUILDING HAS BEEN PREPARED BY ME CONSIDERING ALL POSSIBLE LOADS INCLUDING SEISMIC LOAD AS PER NATIONAL BUILDING CODE OF INDIA, AND THE FOUNDATION SYSTEM PROPOSED THEREIN IS SAFE AND STABLE IN ALL RESPECT FROM GEO- TECHNICAL POINT OF VIEW.

APUDPM GHOSH
 Registered Architect
 Reg. No. CN-2005030585
 MR. ANUPAM GHOSH
 L.E.A. NO. CN/2015/3855

MALAY KUMAR BASU
 B.C.E. PG.D. (Arch)
 M.A.S., M. Tech (Struct)
 Chartered Engineer (I)
 123, 124a, Hindu College Lane
 K. Madhav - 80 029

D. S. SHANMUKH CHAKRABORTY
 M.E. Structural
 G.E. No. - 116, K.M.C.
 Geotechnical Consultant
 MR. S. K. CHAKRABORTY (G.T./1/18)

PROPOSED G + FOUR STORED (15.450 METER HEIGHT)
 RESIDENTIAL BUILDING AT PREMISES NO. 45/40, NARAYAN CHANDRA CHOWDHURY ROAD, P. S. KASBA, WARD NO. 31, KOLKATA 700 042, UNDER BOROUGH XI (K.M.C.), U/S 393 OF K.M.C. ACT 1980 AND COMPLYING U/R 142 OF K. M. C. BLDG. RULES 2009.

COLLAGE ARCHITECTS
 146B, RAJAVATI MAIN ROAD, (OPPOSITE PUNJAB BASKIN OF BLOCK 1), KOLKATA 700 107, INDIA
 TEL: 033-25063833
 FAX: 033-25063834
 EMAIL: COLLAGEARCHITECTS@GMAIL.COM
 WWW.COLLAGEARCHITECTS.COM
 THE DRAWING IS A PROPERTY OF COLLAGE ARCHITECTS. ANY UNAUTHORIZED REPRODUCTION OR DISTRIBUTION OF THIS DRAWING WITHOUT THE WRITTEN PERMISSION OF COLLAGE ARCHITECTS IS STRICTLY PROHIBITED.